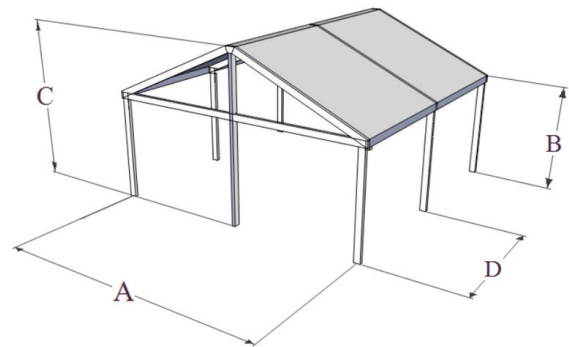
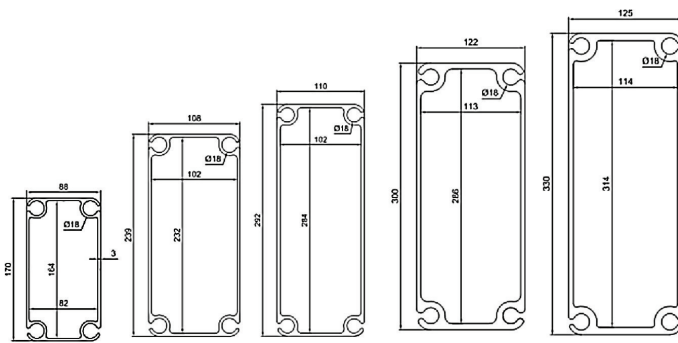


CLEARSPAN

CLEARSPAN „CS Industry“ is the temporary storage tent solution for short- and long-term installations in areas at low altitude. With an eave height 3,0 to 6,0 m, it meets the needs of many users. The plug-in system is easy to handle and allows quick assembly and disassembly. The structure has 5,0 m bays, this means that the structure can be extended to any length. Furthermore it can be equipped with PVC walls as well as with rigid sidewalls. The snow load is 0,2 to 0,5 kN/m², depending on the profile size.



Keder-channel aluminium profile

(A) Width	Profile	(B) Eave height	(C) Apex height	(D) Bays
5,0 / 6,0 / 8,0 m	120 x 80	3,0 - 6,0 m	5,1 - 8,2 m	5,0 m
10,0 m	120 x 80 170 x 88	3,0 - 6,0 m	5,1 - 8,3 m	5,0 m
12,0 / 15,0 m	170 x 88 239x108	3,0 - 6,0 m	5,2 - 8,4 m	5,0 m
18,0 / 20,0 m	239 x 108 292 x 110	3,0 - 6,0 m	5,4 - 8,4 m	5,0 m

